



MARKS WIRELESS DEADBOLTS

Smart & Interconnected Wireless Deadbolt Locks

The Marks Wireless Deadbolt Series delivers key-free convenience, dependable security, & long-lasting performance— hallmarks of the Marks USA brand. Designed for property managers, building owners, and multifamily applications, these Smart & Interconnected Deadbolt models feature one-motion egress, BLE Bluetooth plus optional Prox or MIFare credential support for flexible access, providing a seamless and intuitive user experience.

Integrated with NAPCO smart security platforms, the Marks Wireless Deadbolt Series provides secure, keyless operation while eliminating the expense and hassle of key management. Users can adjust personal access settings— such as unlock range— directly from their phone, ensuring both convenience and safety.

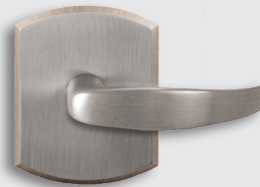
Built for new construction or retrofit projects, with minimal door prep, they combine rugged deadbolt reliability with modern smart-access functionality for today's evolving multifamily/multi-tenant market.



Outside Deadbolt Housing
with or w/o Prox Reader



Inside Thumb Turn w/
Matching Optional Trim



Matching Lever
Rose Trim




Matching Lever
Rose Trim



Inside
Interconnected Trim

Deadbolt Features

- No Cylinder - For Pick-proof security
- BLE Bluetooth Credential Support
- Optional Prox or MIFare Support
- Prox Reader Options for ID cards/fobs
- Clutching outside turnpiece design - Provides extended battery life for less maintenance
- ADA compliant - UL Listed 
- Field reversible
- Weather-Resistant

Get More from Marks

Convenient, Easily Administered Smart Credentials
Today's Consumers Want

Wireless & Key-free Operation


Prox ID Tech & Style Options:
Standard 125 kHz Prox Card
Readers or MIFare support
for 13.56 MHz Enhanced Security Smart IDs

Low-Maintenance, Durable Locking

Choice of Interconnected Platforms for safe, secure
management of the system, Traditional Enterprise,
Cloud- &/or App-Based



Interconnected Deadbolt Features

- Interconnect Inside Trim for One Motion Egress
- No Cylinder - For Pick-proof security
- BLE Bluetooth Credential Support
- Optional Prox or MIFare Support
- Prox Reader Options for ID cards/fobs
- Clutching outside turnpiece design - Provides extended battery life for less maintenance
- ADA compliant - UL Listed 
- Field reversible
- 2¾" backset standard; 2⅜" backset available





MARKS

WIRELESS DEADBOLTS

Interconnected Deadbolt Smart Electronics: Enterprise CA4K, MVP® Access Cloud or MVP EZ App Management

Marks Wireless Deadbolt Series Locks blend architecturally-pleasing aesthetics with Napco's own advanced, scalable, proven, access-control locking platforms including new MVP Enterprise and MVP-EZ App Cloud-Based solutions.

These Smart Deadbolts, as well as Napco Access Control Panels & wireless lock Gateways, are interoperable with either our MVP Access Cloud or on-prem CA4K Enterprise head end access platforms and can be managed from web browsers or mobile apps. Our MVP Access, MVP EZ and CA4K Access mobile apps provide multiple ways to interact with our access management platforms. All three apps also support our MobileLink technology to allow configuration and data exchange via a mobile device without any IT infrastructure. The iLock app is designed for end users who desire a simple one button app for utilizing BLE credentials to access their doors.

Wirelessly & labor-free, updates, credential changes (125kHz Prox or 13.56 MHz MIFare), scheduled routines, & time-/date-stamped audit trail queries don't require going door to door. All can be securely made over the wireless network, on-demand, or set schedule. Lock programming can also be done via smartphone or tablet via Bluetooth connection.

Proven, low maintenance with durable Marks hardware & superior battery-life.



Platform-Networked Specifications:

- Supports up to 5000 Key-free users
- Multiple Access Technologies supported (platform-dependent), i.e., prox, fob, smart cards (Standard Prox or MIFare/EV1/EV2/EV3, see ordering**), or iLock® for MVP App, MVP EZ App, for Mobile Access credential via Smartphone
- Customizable UnLock Range on Phone App - Optimize convenience & security based on preference.
- Manual credential enrollment capability (limited)
- Supports 254 time schedules and 30 holidays held in the lock.
- 4 Construction Modes Available (see usage in Operations Guide OI445LF)
- Provides 7,000 Event Audit Trail, with time- and date-stamp of access by user (stored in the lock)
- Long Battery Life with 4 AA Batteries - Up to 3 years for low maintenance (actual span dependent on operation frequency, programming & credential types)
- Convenient Bluetooth, Prox or MiFare Advanced Security-Tech Credentials, ID, Fob & Phone
- 300+ Architectural lever designs & 2 Reader Styles (see ordering info)
- Built-in wireless capability supports programming via Gen 3 Networx Gateways (in Ethernet/802.11 or POE models)
- Long-range wireless programming
- MobileLink™ Phone Sync - Available on select models, MobileLink in the MVP Access or EZ App enables users to unlock doors and transfer data via Bluetooth, even without an internet connection. It securely syncs lock updates, including firmware, in Offline Mode, eliminating the need for a Gateway for RF communication for simplified, efficient lock management.





Deadbolt & Interconnected Deadbolt Mechanical Specifications

MECHANICAL SPECIFICATIONS:

Stand Alone Deadbolt

Bolt: 1" throw steel bolt

Backset: 2¾" standard. 2⅝" available.

Battery: 4 AA (Note: 9V battery can supply power, if battery dies)

Bore: 2⅛"

Interconnected Deadbolt

Backset: 2¾" standard. 2⅝" available.

Battery: 4 AA (Note: 9V battery can supply power, if battery dies)

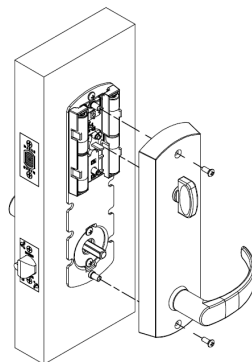
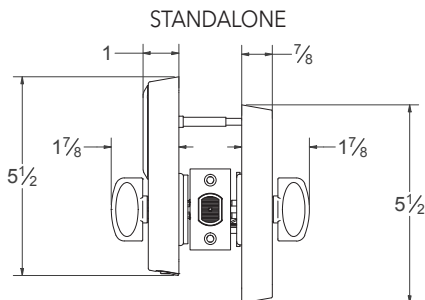
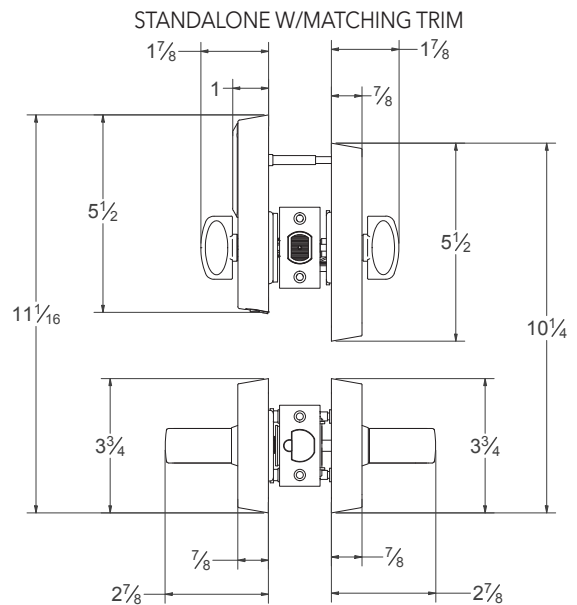
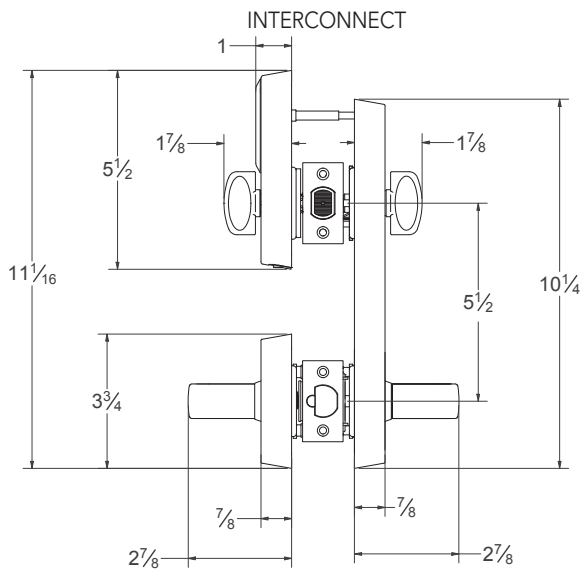
Bore: 2⅛ x 2⅛ bore 5½" center to center

DB Bolt: 1" throw steel bolt

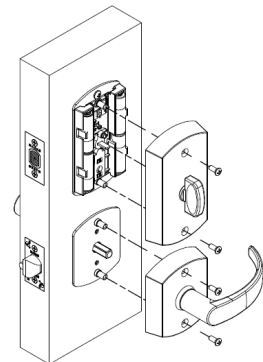
Latch: 9/16" stainless steel nose

Lever: American (92) and Crescent (86) design standard

Finishes: US 15 Finish standard. 19 Finish available. Consult factory on all other finishes.



Interconnected Deadbolt & Lever

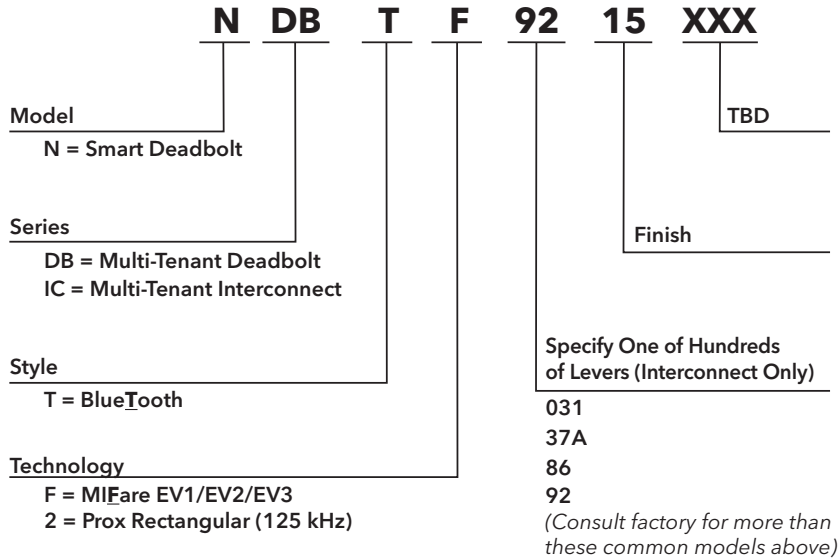


Stand-alone Deadbolt & matching Lever



Ordering Information

LOCK MODEL ORDERING CONFIGURATION:



Common Part Numbers:

- Stand Alone Deadbolt NDBTF15
- Stand Alone Deadbolt with matching independent cylindrical trim NDBTF9215
- Interconnected Deadbolt NICTF9215
- Interconnected Deadbolt IC Rectangular 125kHz Prox NICT29215

ACCESSORY ORDERING INFORMATION:

Gateways

MVP-IM3-POE Dedicated MVP POE Gateway, Gen. 3 Power over Ethernet, No AC power required.

MVP-IM3-80211 Dedicated MVP Combo Gateway. Gen 3 Wired/Wireless, supports wireless or hardwire Ethernet connection

AL-IM3-80211 Network Gateway, Wired/Wireless, supports wireless or hardwire Ethernet connection (require MVP firmware download prior to use.).

AL-IM3-POE Network POE Gateway, Power over Ethernet, No AC power required. (require MVP firmware download prior to use.).

MiFare Options

MiEV3C42-25 MiFare, 42 bit EV3, 25 pack

MiEV3Cxxxx-25 MiFare, Custom Card, EV3, 25 pack (call factory)

MiEV3K42-10 MiFare, 42 bit keyfobs, 10 pack

MiEV3Kxxxx-10 MiFare, 42 bit Custom keyfobs, 10 pack (call factory)

Standard Prox Options

CONCP-5 Construction Card Pack (5)

ALID1326C/25 ProxCard2 25 Pack

ALID1326/100 Proximity Access Cards 100 Pack

KH36-10 Napco Keyfob 125-kHz Proximity, 36-bit, 10pk

Hardwired Access System Accessories

NA-300HA ALPS Single Gang Prox Reader

NA-500HA Cascade Mullion Mount Prox Keypad/Reader

CICRP-640HAB Single Gang Proximity Reader & Keypad

CICRP-620HAB Mullion Mount Proximity Reader & Keypad

R-PH 125kHz Proximity Reader. Single-Gang

R-MI MiFare 13.56MHz Reader. Single-Gang

Other Accessories

KEDSW264 3/4 Recessed Door Position Switch & magnet with connector

RR-1BUTTON Wireless Single button remote release

RR-4BUTTON Wireless 4 Button remote release

PCE Reader/Enroller Portable Reader/Enroller unit for Prox & Napco MiFare credential enrollment.

Header Documentation:

WI2835 Marks Wireless Interconnected Deadbolt Lock Installation Guide

WI2867 Marks Smart Wireless Deadbolt Installation Guide

WI2808 MobileLink Phone Sync Installation Guide

OI445LF Marks Construction Mode User Guide for Wireless Deadbolts

MVP®, iLock®, CA4K® are registered trademarks of NAPCO. Preliminary Data Subject to change without prior notice. Many specifications relate to platform maximums and site application; see specifications on MVP Access, MVP EZ or CA4K Enterprise Software for more. A881C, 3/26

Scan for
More Info

